



GLOBAL LUX



EN TU PROXIMO PROYECTO LUMINOSO,
PERMITE QUE TE AYUDEMOS.

DELUXX HP



Ideal for
A
Boxes & Letters

Optimal Depth
3-12
inches

Module Consumption
0.72
Watts

High Brightness
123
Lumens

Beam Angle
160°

Number of modules
1.5
per foot

Waterproof
IP68

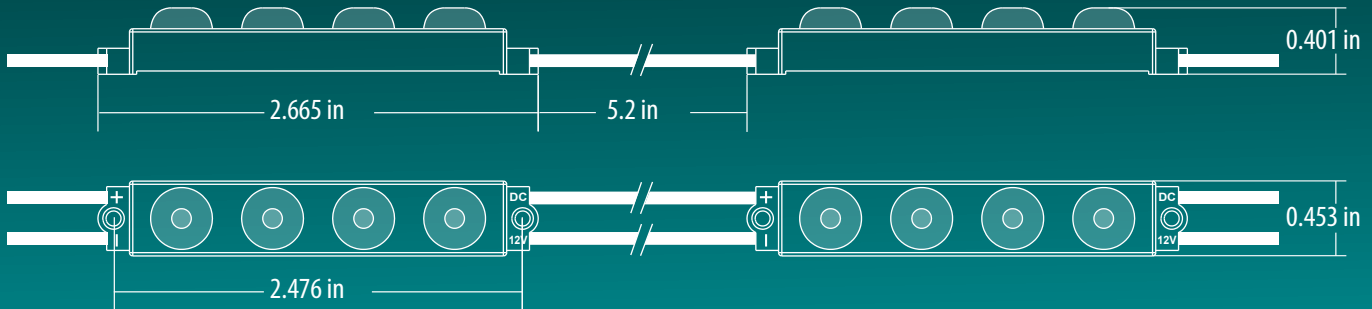
Long Life Span
80,000
Hours

Max. Load
75
Per 60W
Power Supply

Excellent module efficacy 170 lm/w

Recommended Depth (inches)	3	4	5	6	7	8	9	10+
Distance Between Rows (inches)*	4-5	6-7	8	10	10-12	10-12	8-10	8

* Measurements tested with acrylic face. May vary with thickness of material.



Product Code	Color	Lumens / Module	Watts / Module	Max. load for 60W 12V 5A, Class 2	Operating Temperature	Warranty	Waterproof Rating	Max Modules in Serie
GL-EV7-072WHP-160-65	White 6500K*	123	0,72W	75	-40°C to 60°C	5 years	IP 68	30

*White 7200K optional



LM79

LM80



2 LED MODULES

DELUXX 0.72W



Ideal for
A
Boxes & Letters

Optimal Depth
3-12
inches

Module Consumption
0.72
Watts

High Brightness
75
Lumens

Beam Angle
160°

Number of modules
2
per foot

Waterproof
IP68

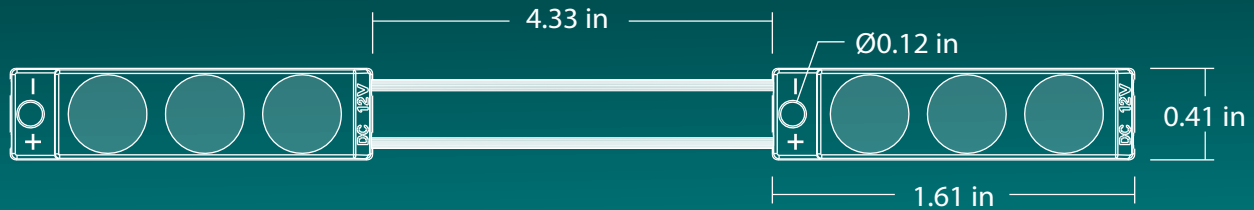
Long Life Span
50,000
Hours

Max. Load
75
Per 60W
Power Supply

Great for Shallow Signs!
Dust and water resistant IP68 protection.

Recommended Depth (inches)	3	4	5	6	7	8	9	10+
Distance Between Rows (inches)*	4-5	6-7	8	10	10-12	10-12	8-10	8

* Measurements tested with acrylic face. May vary with thickness of material.



Product Code	Color	Lumens / Module	Watts / Module	Max. load for 60W 12V 5A, Class 2	Operating Temperature	Warranty	Waterproof Rating	Max Modules in Serie
GL-EV7-072W-160-74	White 7400K	75	0,72W	75	-40°C to 60°C	5 years	IP 68	50

*Other colors available upon request.



DELUXX 0.48W



Ideal for
A
Channel Letters

Optimal Depth
3-8
inches

Module Consumption
0.48
Watts

High Brightness
45
Lumens

Beam Angle
160°

Number of modules
2
per foot

Waterproof
IP68

Long Life Span
50,000
Hours

Max. Load
112
Per 60W
Power Supply

Great for Shallow Signs!

Recommended Depth (inches)	3	4	5	6	7	8
Distance Between Rows (inches)*	4-5	6-7	8	10	8-10	8

* Measurements tested with acrylic face. May vary with thickness of material.



Product Code	Color	Lumens / Module	Watts / Module	Max. load for 60W 12V 5A, Class 2	Operating Temperature	Warranty	Waterproof Rating	Max Modules in Serie
GL-EV7-05W-160-74	White 7400K	45	0,48W	112	-40°C to 60°C	5 years	IP 68	50

*Other colors available upon request.

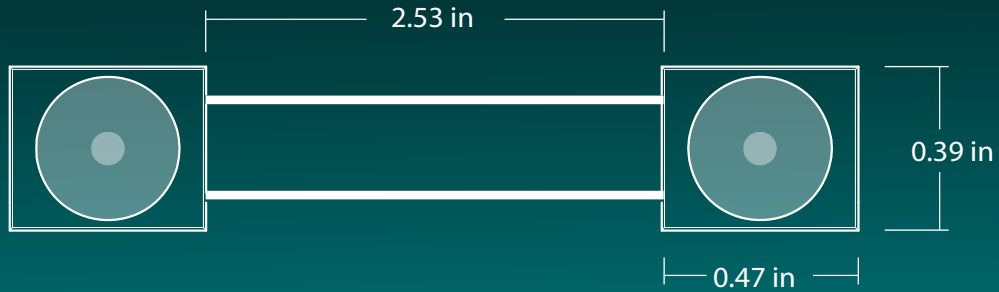


DELUXX MINI



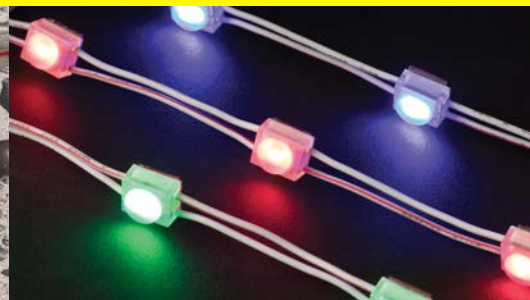
- Ideal for**
A
Small Letters
- Optimal Depth**
1-5
inches
- Module Consumption**
0.36
Watts
- High Brightness**
36
Lumens
- Beam Angle**
160°
- Number of modules**
4
per foot
- Waterproof**
IP68
- Long Life Span**
50,000
Hours
- Max. Load**
150
Per 60W Power Supply

Uniform and efficient illumination at high LED pitches thanks to optics design.



Product Code	Color	Lumens / Module	Watts / Module	Modules / Foot	Max. load for 60W 12V 5A, Class 2	Operating Temperature	Warranty	Waterproof Rating	Max Modules in Serie
GL-EV7-036W-170-72	White 7200K	36	0,36W	4	150	-40° C to 60° C	5 years	IP 68	50

*Other colors and white colors available upon request.



LUXXUS 150 2.0



- Ideal for**

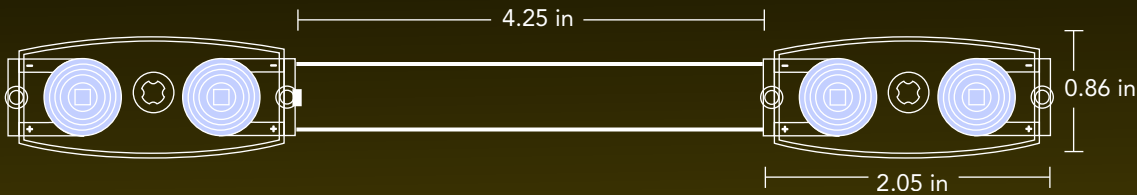
Boxes & Letters
- Optimal Depth**
4-12
 inches
- Module Consumption**
1
 Watt
- High Brightness**
110
 Lumens
- Beam Angle**
150°
- Number of modules**
2
 per foot
- Waterproof**
IP67
- Long Life Span**
80,000
 Hours
- Max. Load**
50
 Per 60W
 Power Supply

The Perfect module for large signs. Spread your rows!

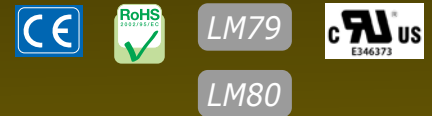
More light. More brightness. More uniformity.
 Less modules. Less power supplies. Less labor.

Recommended Depth (inches)	4	5	6	7	8	9	10+
Distance Between Rows (inches)*	5	6-8	10	10-12	10-12	8-10	8

* Measurements tested with acrylic face. May vary with thickness of material.



Product Code	Color	Lumens / Module	Watts / Module	Modules / Foot	Max. load for 60W 12V 5A, Class 2	Operating Temperature	Warranty	Waterproof Rating	Features
GL-EV2-1W150-2.0-DL	White 6500K	110	1W	2	50	-40° C to 70° C	5 years	IP 67	Constant Current
GL-EV2-1W150-2.0-CW	White 7200K	110	1W	2	50	-40° C to 70° C	5 years	IP 67	Constant Current

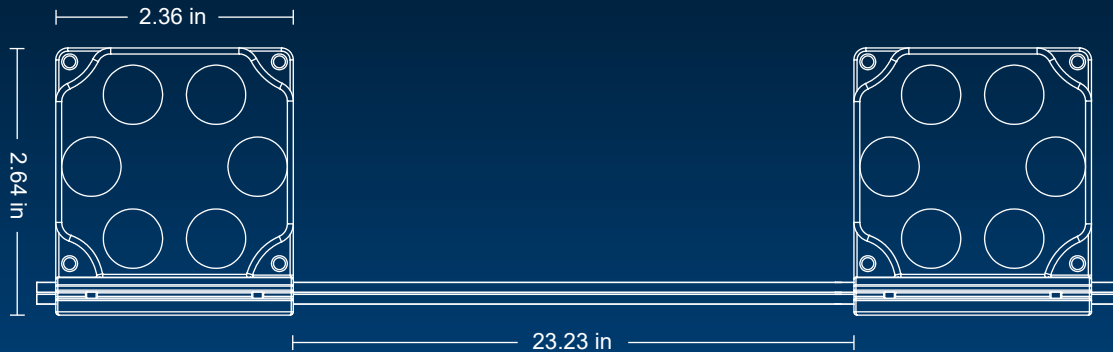


NOVALUXX 6W



Ideal for  Boxes	Optimal Depth 5-12 inches	Module Consumption 6 Watts	High Brightness 540 Lumens	Beam Angle 175° 	Number of modules 0.5 per foot	Waterproof IP67 	Long Life Span 50,000 Hours	Max. Load 8 Per 60W Power Supply
--	---	--	--	---	--	---	---	--

Light a 2'x2' surface at 6 inches depth with only 1 module!

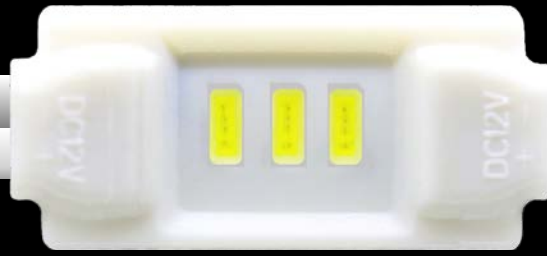


Product Code	Color	Lumens / Module	Watts / Module	Modules / Foot	Max. load for 60W 12V 5A, Class 2	Operating Temperature	Warranty	Waterproof Rating	Features
GL-6W-DL-12V	White 6500K	540	6W	0.5	8	-40°C to 70°C	5 years	IP 67	Constant Current

*Other white colors available upon request.

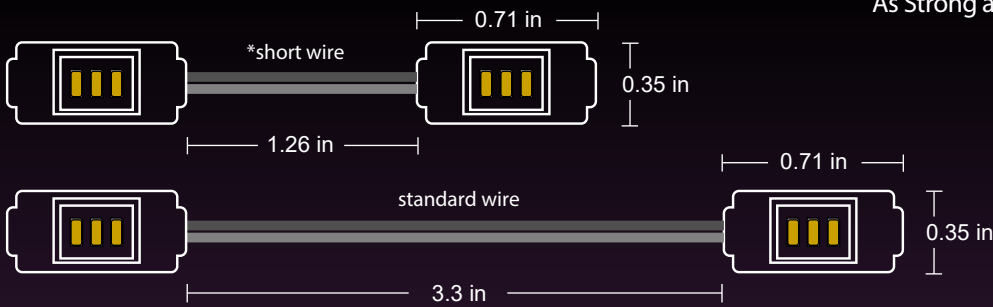


Mini



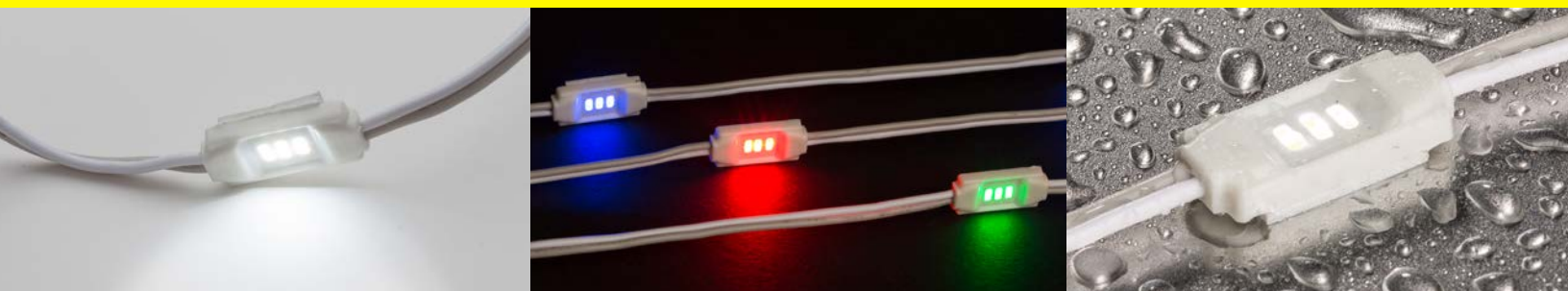
- Ideal for**
A
 Small Letters
- Optimal Depth**
2-5
 inches
- Module Consumption**
0.30
 Watts
- High Brightness**
30
 Lumens
- Beam Angle**
120°
- Number of modules**
4 or 6
 per foot
- Waterproof**
IP65
- Long Life Span**
50,000
 Hours
- Max. Load**
166
 Per 60W
 Power Supply

As Strong as it is Small ! Great for small and halo signs.



Product Code	Color	Lumens / Module	Watts / Module	Modules / Foot	Max. load for 60W 12V 5A, Class 2	Operating Temperature	Warranty	Waterproof Rating
GL-AL-3-W-CW	White 7200K	30	0,30W	4	166	-40°C to 70°C	5 years	IP 65
GL-AL-3-W-CW-SW	White 7200K - short wire*	30	0,30W	6	166	-40°C to 70°C	5 years	IP 65
GL-AL-3-W-DL	White 6500K	30	0,30W	4	166	-40°C to 70°C	5 years	IP 65
GL-AL-3-W-DL-SW	White 6500K - short wire*	30	0,30W	6	166	-40°C to 70°C	5 years	IP 65
GL-AL-3-W-WW	White 4000K	30	0,30W	4	166	-40°C to 70°C	5 years	IP 65
GL-AL-3-W-WH	White 3000K	30	0,30W	4	166	-40°C to 70°C	5 years	IP 65
GL-AL-3-W-R	Red	10	0,30W	4	166	-40°C to 70°C	5 years	IP 65
GL-AL-3-W-G	Green	20	0,30W	4	166	-40°C to 70°C	5 years	IP 65
GL-AL-3-W-B	Blue	9	0,30W	4	166	-40°C to 70°C	5 years	IP 65

* New mini short wire has a 32mm wire (1.26 in)



LITEROD



Ideal for

 Double sided box

Optimal Depth
3-18
 inches to the face

Consumption per foot
5.52
 Watts Double sided

High Brightness
575
 Lumens/ft Double sided

Beam Angle
170°
 Per side

Voltage
24V

Waterproof
IP67


LM79

LM80

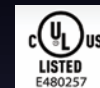
FEATURES :

- Improves your customer's corporate image
- For 6" to 24" deep double-sided boxes keeping 8" to 18" center to center
- Reduces maintenance cost and saves energy
- Different lengths available
- Indoor/Outdoor applications
- 5 year warranty
- Literod allows you to spread the distance between each row and keep the uniformity

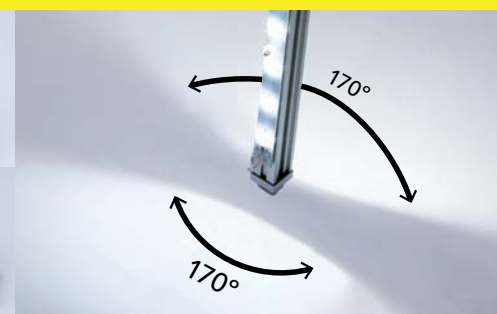
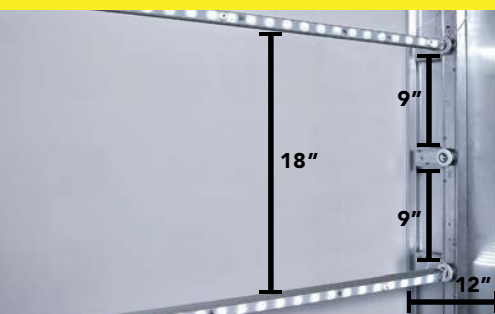


Depth	Spread
*6 in	8 in
12 in	18 in

* Double faced lightboxes



Product Code	Color	Description	Lumens / Bar	Watts / Bar	Voltage	Max Load / 96W	Max Load / 192W	Nominal Length
GL-DF-F18-5.5W-65K	Daylight White 6500K	18" Double Faced	575	5.52W	24V	15	30	15.91"
GL-DF-F24-11W-65K	Daylight White 6500K	24" Double Faced	1150	11.04W	24V	7.5	15	21.91"
GL-DF-F30-16.5W-65K	Daylight White 6500K	30" Double Faced	1725	16.56W	24V	5	10	27.91"
GL-DF-F36-16.5W-65K	Daylight White 6500K	36" Double Faced	1725	16.56W	24V	5	10	33.91"
GL-DF-F42-16.5W-65K	Daylight White 6500K	42" Double Faced	1725	16.56W	24V	5	10	39.91"
GL-DF-F48-22W-65K	Daylight White 6500K	48" Double Faced	2300	22.08W	24V	4	8	45.91"
GL-DF-F60-27.6W-65K	Daylight White 6500K	60" Double Faced	2875	27.6W	24V	3	6	57.91"
GL-DF-F64-27.6W-65K	Daylight White 6500K	64" Double Faced	2875	27.6W	24V	3	6	61.91"
GL-DF-F72-33W-65K	Daylight White 6500K	72" Double Faced	3450	33.12W	24V	2.5	5	69.91"
GL-DF-F84-38.6W-65K	Daylight White 6500K	84" Double Faced	4025	38.64W	24V	2	4	81.91"
GL-DF-F96-44W-65K	Daylight White 6500K	96" Double Faced	4600	44.16W	24V	2	4	93.91"
GL-DF-F108-49.6W-65K	Daylight White 6500K	108" Double Faced	5175	49.68W	24V	1.5	3	105.91"
GL-DF-F117-55.2W-65K	Daylight White 6500K	117" Double Faced	5750	55.2W	24V	1.5	3	114.91"
GL-DF-F120-55.2W-65K	Daylight White 6500K	120" Double Faced	5750	55.2W	24V	1.5	3	117.91"



ENVISION 2.0



Ideal for
Boxes 2 views

Optimal Depth
4-6 inches

Module Consumption
1 Watt

High Brightness
94 Lumens

Beam Angle
30°x10°

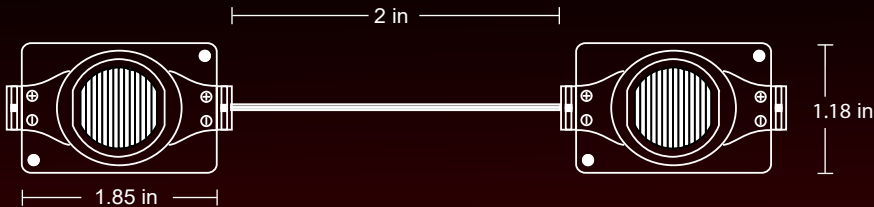
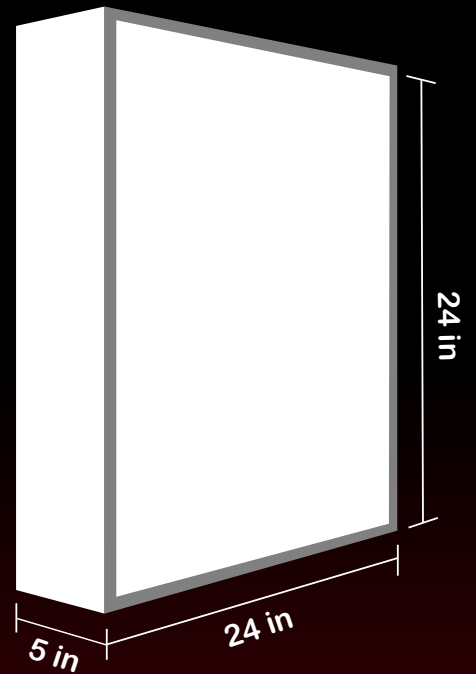
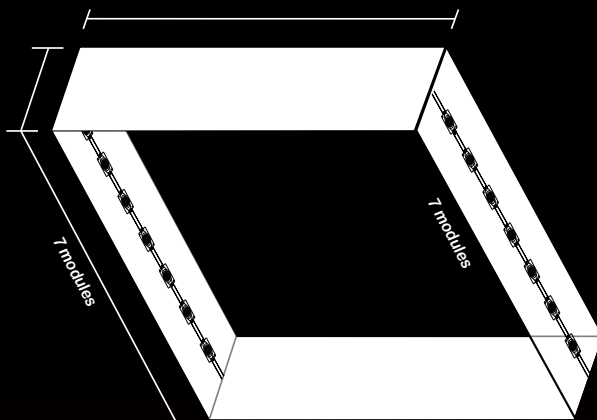
Number of modules
3 per foot

Waterproof
IP67

Long Life Span
50,000 Hours

Max. Load
50 Per 60W Power Supply

Edge lighting done Easy !



Product Code	Color	Lumens / Module	Watts / Module	Modules / Foot	Max. load for 60W 12V 5A, Class 2	Operating Temperature	Warranty	Waterproof Rating
GL-EV4-1W-ENV-WH3	White 8000K	94	1W	3	50	-40° C to 70° C	5 years	IP 67



EDGELIT 6W



Ideal for
Single & Double Sided Boxes

Optimal Depth
2-4 inches Single Sided

Optimal Depth
3-6 inches Double Sided

Module Consumption
6 Watt

High Brightness
550 Lumens

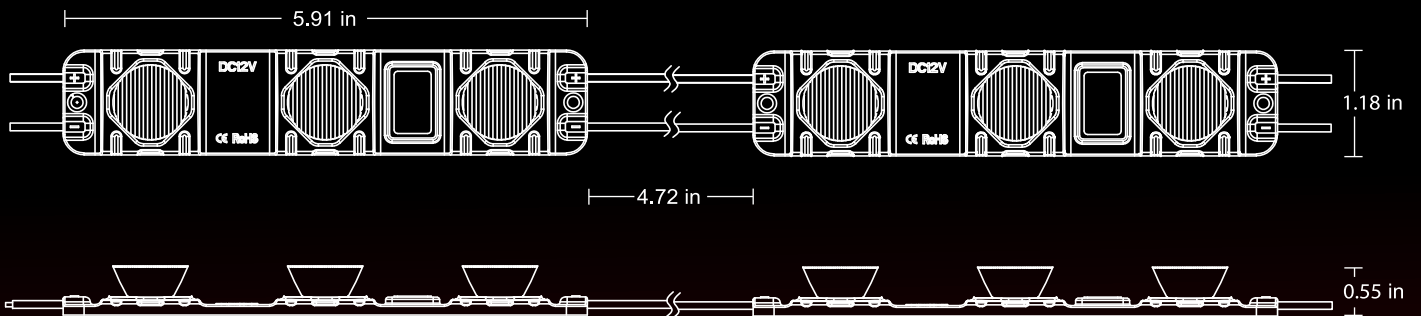
Beam Angle
10°x40°

Number of modules
0.75 per foot

Waterproof
IP67

Long Life Span
50,000 Hours

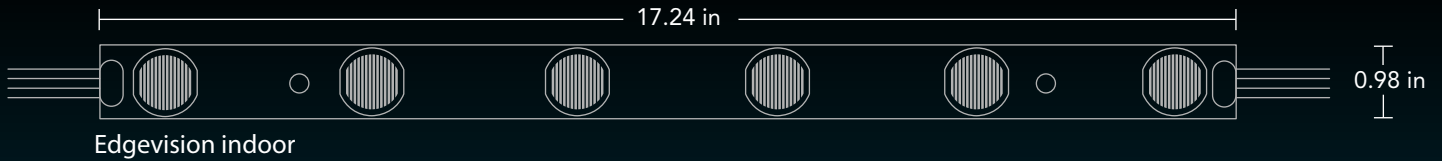
Edge lighting done Easy!



Product Code	Color	Lumens / Module	Watts / Module	Modules / Foot	Max. load for 60W 12V 5A, Class 2	Operating Temperature	Warranty	Waterproof Rating
GL-EV4-6W-EDG-DL	White 6500K	550	6W	0.75	9	-40° C to 60° C	5 years	IP 67



EDGEVISION



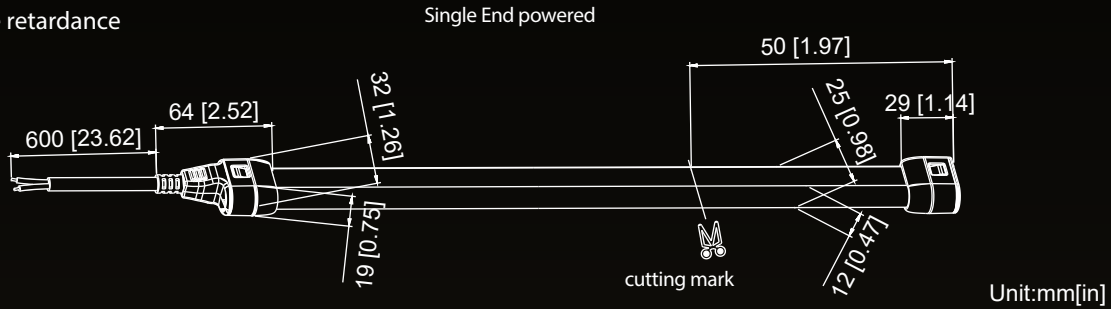
Product Code	Color	LEDs / Bar	Lumens / Bar	Watts / Bar	Length (in)	Operating Temperature	Warranty	Waterproof Rating
GL-EDG-219-3	White 6500K	3	610	8W	8.27	-40°C to 70°	5 years	IP 62
GL-EDG-365-5	White 6500K	5	1020	13,5W	14.17	-40°C to 70°	5 years	IP 62
GL-EDG-438-6	White 6500K	6	1200	15W	17.24	-40°C to 70°	5 years	IP 62
GL-EDG-W-219-3	White 6500K	3	610	8W	8.80	-40°C to 70°	5 years	IP 66 *
GL-EDG-W-365-5	White 6500K	5	1020	13,5W	14.55	-40°C to 70°	5 years	IP 66 *
GL-EDG-W-438-6	White 6500K	6	1200	15W	17.43	-40°C to 70°	5 years	IP 66 *



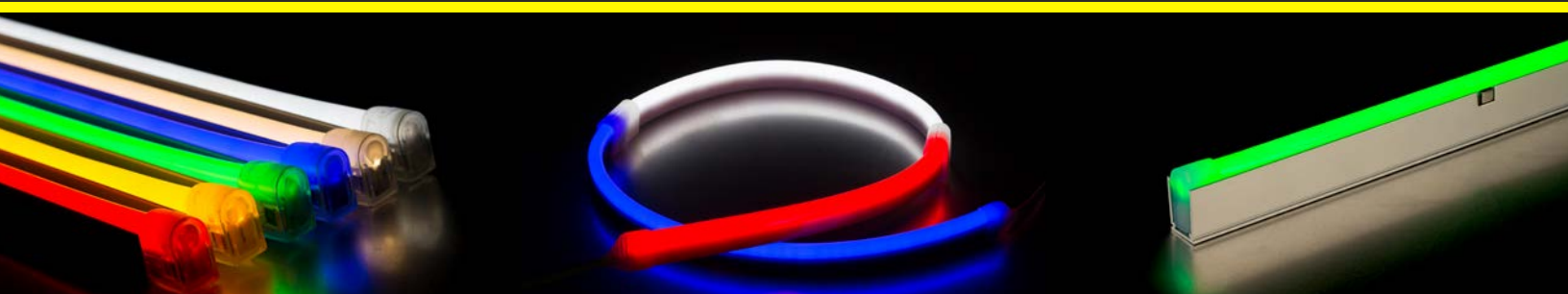
NEON FLEX

Module Consumption 2.93 Watt / ft	High Brightness 192/ft LED Lumens	Beam Angle 150°	Number of LED 36.6 per foot	Waterproof IP68	Long Life Span 50,000 Hours	Voltage 24V DC	LM80
---	---	----------------------------------	---	----------------------------------	---	------------------------------------	-------------

- Great for outdoor / indoor architectural lighting!
- UV-resistant silicone material
- V-2 flame retardance



Product Code	Color	Watts / ft	LED / Foot	Max. working length Single end powered	Max. working length Double end powered	Operating Temperature	Warranty
GL-N24A-DL	White 6500K	2.93W	36.6	49.21ft	98.43ft	-40°C to 60°C	5 years
GL-N24A-WW	White 4200K	2.93W	36.6	49.21ft	98.43ft	-40°C to 60°C	5 years
GL-N24A-R	Red	2.93W	36.6	49.21ft	98.43ft	-40°C to 60°C	5 years
GL-N24A-G	Green	2.93W	36.6	49.21ft	98.43ft	-40°C to 60°C	5 years
GL-N24A-B	Blue	2.93W	36.6	49.21ft	98.43ft	-40°C to 60°C	5 years
GL-N24A-Y	Yellow	2.93W	36.6	49.21ft	98.43ft	-40°C to 60°C	5 years



NEON FLEX MINI

Module Consumption
3.66
Watt / ft

High Brightness
140/ft
LED Lumens

Beam Angle
140°

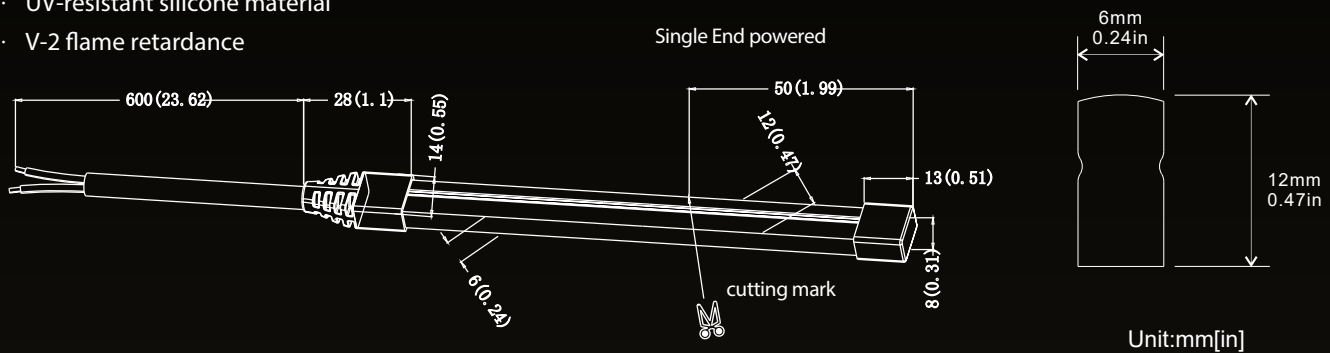
Number of LED
36.6
per foot

Waterproof
IP67

Long Life Span
50,000
Hours

Voltage
24V
DC

- Great for outdoor / indoor architectural lighting!
- UV-resistant silicone material
- V-2 flame retardance



Product Code	Color	Watts / ft	LED / Foot	Max. working length Single end powered	Max. working length Double end powered	Operating Temperature	Warranty
GL-NS2-6-DL	White 6500K	3.66W	36.6	16.4ft	32.8ft	-40° C to 60° C	5 years
GL-NS2-6-WW	White 4200K	3.66W	36.6	16.4ft	32.8ft	-40° C to 60° C	5 years
GL-NS2-6-R	Red	3.66W	36.6	16.4ft	32.8ft	-40° C to 60° C	5 years
GL-NS2-6-G	Green	3.66W	36.6	16.4ft	32.8ft	-40° C to 60° C	5 years
GL-NS2-6-B	Blue	3.66W	36.6	16.4ft	32.8ft	-40° C to 60° C	5 years
GL-NS2-6-Y	Yellow	3.66W	36.6	16.4ft	32.8ft	-40° C to 60° C	5 years



FUENTES DE PODER



60W, 120W 2 banks, 12V IP67

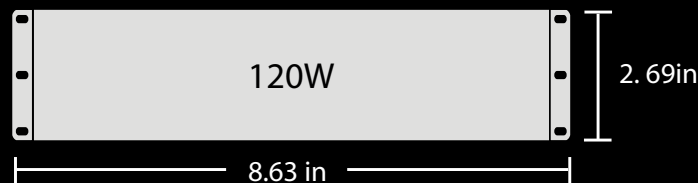
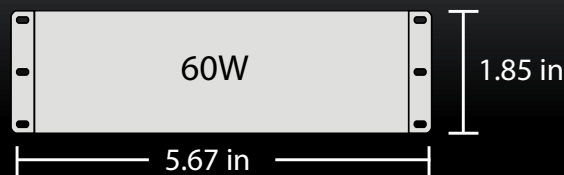
FEATURES

- Constant voltage design
- Universal AC input
- Epoxy encapsulated with IP67 level
- Cooling by free air convection
- UL1310 Class 2 power unit, pass LPS
- 100% full load burn-in test
- Suitable for LED lighting and moving sign applications
- Low cost, high reliability

Technical Specifications

Model	GLPSTR1260-100U	GLPSTR121202-100U
Power Supply	60W	120W (2x60W)
Input Voltage Range	100-277 VAC	100-277 VAC
DC output	5A	2x5A
Output	12V*	12V*
IP protection	IP67	IP67
Safety Standards	Class 2	Class 2
Working temperature	-40°C +40°C	-40°C +40°C

* 24 Volt output also available



GLOBAL LUX DISTRIBUCIÓN EN MEXICO.



MEXICO

TUBELITE



GLOBAL LUX

Smart Lighting Solutions

www.global-lux.com

Printed in Canada